

DESIGN D

OIL WELL PUMP MOTORS

Corrosion resistant high torque motors made for pump jacks and other grueling oil field applications



3-100HP 1200RPM 3PH TEFC

- Rated for Class I, Div II
- Service Factor: 1.15
- Design: High Torque "D" (5-8% Slip)
- Protection Degree: IP55
- Enclosure: TEFC
- VPI process applied for best electrical performance
- Corrosion resistant epoxy coated
- F2 mounting position (convertible to F1)
- Double delta/delta/wye connection (12 leads)
- Rigid cast iron construction
- Steel fan guard and junction box
- Oversized regreasable bearings on both ends
- Double drilled feet
- Shaft material: 1045 carbon steel
- Designed for horizontal and vertical applications
- Drainage holes at motor's lowest point
- Grounding terminal inside junction box and on frame
- PTC thermistors in windings
- Stainless steel nameplate with connection diagram
- CSA-US approved and CE marked
- Epoxy coated RAL7035 - light gray
- Warranty: 3-Years



CALL NOW



Find Your Motor

Elektrim Motors
2015 S. Mitchell Blvd.
Schaumburg, IL 60193
847-524-1074
www.elektrimmotors.com

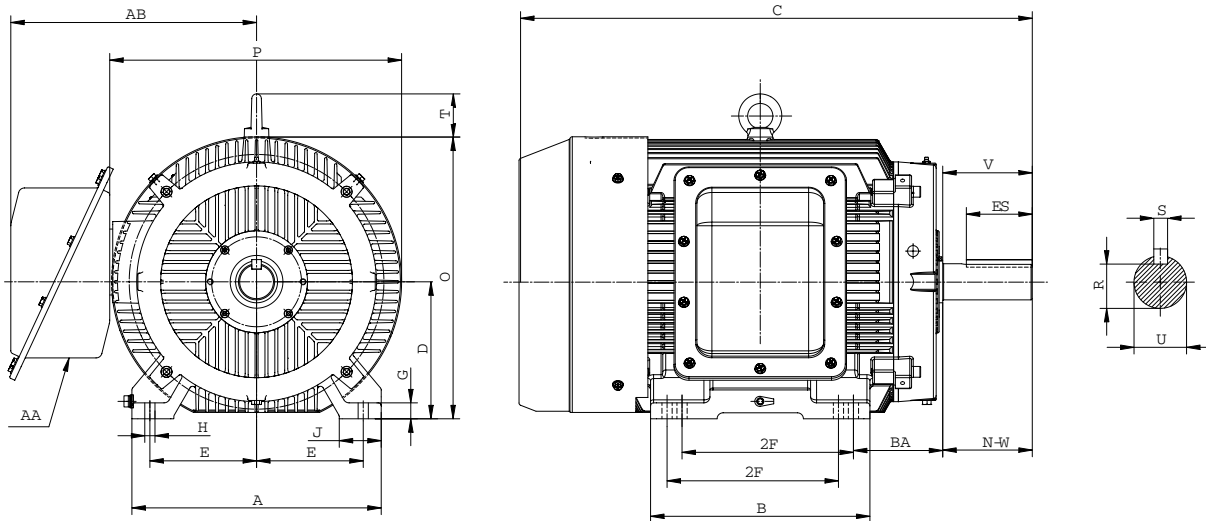
BUILT TO PERFORM WHERE OTHERS FAIL

Design D Oil Well Pump Motors

Performance Data and Mounting Dimensions



Footed Part Number	HP	RPM	Frame	Slip %	Torque			FLA			LRA			Full Load		SF	lbs
					FLT lb-ft	LRT %	BDT %	230V	460V	796V	230V	460V	796V	EFF	Power Factor		
34NFM-3-3-12	3	1140	213T	5	13.8	278	140	8.8	4.4	2.5	52.8	26.4	15	78.8	80	1.15	110
34NFM-3-5-12	5	1135	215T	5.4	23.1	294	166	13.6	6.8	3.9	86.4	43.2	24.8	81	85	1.15	137
34NFM-3-7.5-12	7.5	1115	254T	7	35.3	327	178	21.6	11	6.2	121	61.7	34.8	81	80	1.15	213
34NFM-3-10-12	10	1125	256T	6.2	46.7	364	221	27.6	13.8	8	184	92	53	82	83	1.15	254
34NFM-3-15-12	15	1135	284T	5.4	69.4	302	208	36	18	10.4	251	125	72	86	90	1.15	335
34NFM-3-20-12	20	1135	286T	5.4	92.5	303	225	47	23.5	13.6	322	161	93	88	90	1.15	399
34NFM-3-25-12	25	1140	324T	5	115.1	304	250	64	32	18.5	380	190	110	88	83	1.15	540
34NFM-3-30-12	30	1140	326T	5	138.2	313	250	76	38	22	468	234	136	87	85	1.15	586
34NFM-3-40-12	40	1140	365T	5	184.2	336	270	100	50	29	752	376	165	87	88	1.15	743
34NFM-3-50-12	50	1140	404T	5	230.3	300	241	126	63	36.4	813	406	235	87	86	1.15	1030
34NFM-3-60-12	60	1140	405T	5	276.3	376	287	156	78	45	1139	569	329	87	86	1.15	1129
34NFM-3-75-12	75	1140	444T	5	345.4	355	267	180	90	52	1305	653	377	89	87	1.15	1568
34NFM-3-100-12	100	1140	445T	5	460.5	374	300	240	120	69	1817	908	522	89	88	1.15	1837



Frame	Mounting				A Max	B Max	C	D	G	J	P	O	T	Shaft Extension			Keyseat			Conduit Box		Bearings	
	E	2F	H	BA										N-W	U	Min V	S	Min Es	R	AA	AB	DE	ODE
213T	4.25	5.50	0.41	3.50	10.5	9.4	19.90	5.25	0.67	1.82	10.83	10.8	1.42	3.38	1.375	3.12	0.312	2.41	1.201	2-0.95 DIA	8.86	6308ZC3	6208C3ZC2
215T	4.25	7.00	0.41	3.50	10.5	9.4	19.90	5.25	0.67	1.82	10.83	10.8	1.42	3.38	1.375	3.12	0.312	2.41	1.201	2-0.95 DIA	8.86	6308ZC3	6208C3ZC2
254T	5.00	8.25	0.53	4.25	12.5	11.1	25.25	6.25	0.79	2.37	12.60	13.0	1.80	4.00	1.625	3.75	0.375	2.91	1.416	2-1.42 DIA	10.00	6310ZC3	6310ZC3
256T	5.00	10.00	0.53	4.25	12.5	11.1	25.25	6.25	0.79	2.37	12.60	13.0	1.80	4.00	1.625	3.75	0.375	2.91	1.416	2-1.42 DIA	10.00	6310ZC3	6310ZC3
284T	5.50	9.50	0.53	4.75	14.0	12.8	28.60	7.00	0.87	2.76	14.10	14.1	2.20	4.62	1.875	4.38	0.500	3.28	1.591	2-1.42 DIA	10.60	6310ZC3	6210ZC3
286T	5.50	11.00	0.53	4.75	14.0	12.8	28.60	7.00	0.87	2.76	14.10	14.1	2.20	4.62	1.875	4.38	0.500	3.28	1.591	2-1.42 DIA	10.60	6310ZC3	6210ZC3
324T	6.25	10.50	0.66	5.25	16.0	13.8	31.52	8.00	0.99	2.77	15.60	15.9	2.60	5.25	2.125	5.00	0.500	3.91	1.845	2-1.73 DIA	12.80	6312C3	6212C3
326T	6.25	12.00	0.66	5.25	16.0	13.8	31.52	8.00	0.99	2.77	15.60	15.9	2.60	5.25	2.125	5.00	0.500	3.91	1.845	2-1.73 DIA	12.80	6312C3	6212C3
365T	7.00	12.25	0.66	5.88	18.0	16	33.99	9.00	1.11	3.15	17.40	18.2	2.60	5.88	2.357	5.62	0.625	4.28	2.021	2-1.73 DIA	13.60	6215C3	6312C3
404T	8.00	12.25	0.81	6.62	20.0	17.6	38.72	10.00	1.20	3.15	19.20	19.8	3.00	7.25	2.875	7.00	0.750	5.65	2.450	2-2.52 DIA	15.80	6316C3	6313C3
405T	8.00	13.75	0.81	6.62	20.0	17.6	38.72	10.00	1.20	3.15	19.20	19.8	3.00	7.25	2.875	7.00	0.750	5.65	2.450	2-2.52 DIA	15.80	6316C3	6313C3
444T	9.00	14.50	0.81	7.50	22.0	21.3	44.90	11.00	1.38	3.43	21.30	22.1	3.65	8.50	3.375	8.25	0.875	6.91	2.880	2-2.52 DIA	16.90	6318C3	6315C3
445T	9.00	16.50	0.81	7.50	22.0	21.3	44.90	11.00	1.38	3.43	21.30	22.1	3.65	8.50	3.375	8.25	0.875	6.91	2.880	2-2.52 DIA	16.90	6318C3	6315C3

BUILT TO PERFORM WHERE OTHERS FAIL



Find Your Motor

Elektrim Motors
 2015 S. Mitchell Blvd.
 Schaumburg, IL 60193
 847-524-1074
www.elektrimmotors.com